



Patents:  
6,370,823;  
6,301,832;  
6,308,462;  
6,347,483;  
5,396,732



## User Guide

Wood Center Gateway Model G35 for openings 28" to 41 1/4"  
Optional extension kit Model G5.5 (2 extensions per kit necessary for the following widths:  
35 3/4"-41 1/2" - One extension kit  
41 1/4"-47" - Two extension kits

KidCo is a member of:



Made in Denmark for:  
KidCo, Inc.  
1013 Technology Way  
Libertyville, IL 60048

www.kidco.com  
Phone 800-553-5529  
Fax 800-553-0221

Patents pending

**KidCo, Inc**

**KidCo, Inc**

Bl. 3001-315b - G35-0208

## Important Notes

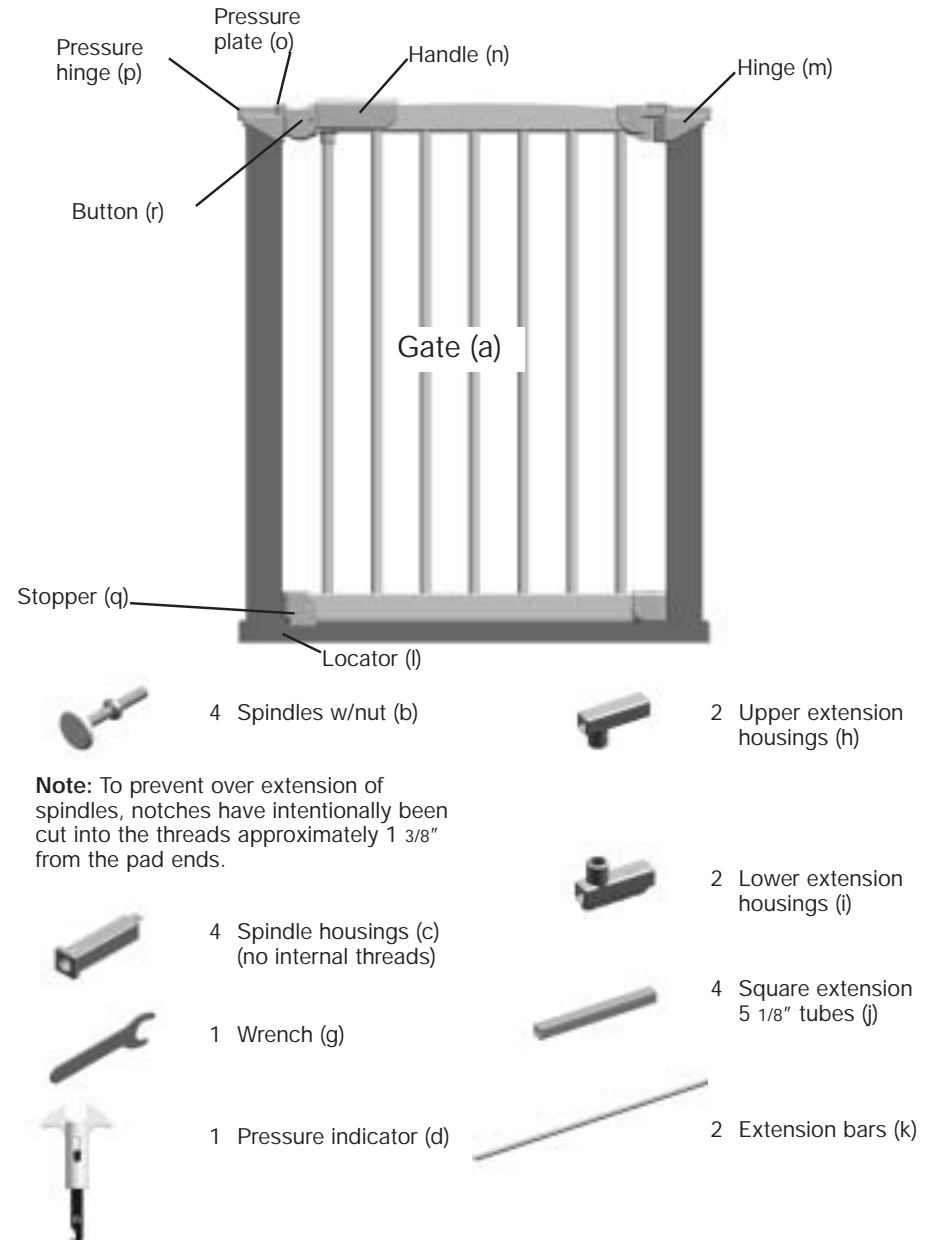
# FOLLOW THESE INSTRUCTIONS CAREFULLY AND KEEP THEM FOR FUTURE REFERENCE

This gate is designed for children from 6 months to 36 months. Since each child's skills develop at different ages, these parameters should be monitored against your own child's development.

## ⚠ WARNING

- Intended for use with children from 6 months through 36 months.
- Check the stability of the gate and tighten all hardware and mountings regularly.
- To prevent serious injury or death, securely install gate or enclosure and use according to manufacturer's instructions.
- Never use with a child able to climb over or dislodge/open the gate or enclosure.
- Never use if gate is less than 3/4 of child's height.
- Do not use if any part of gate is broken or missing.
- Discontinue use if any part of gate is damaged.
- This product will not necessarily prevent all accidents. Never leave child unattended.
- Use only spare parts from KidCo.
- Never allow child to climb or swing on gate.
- Use only with the locking /latching mechanism securely engaged.
- Never use at the top of the stairs.
- Never climb over the gate.
- Never hang or tie toys etc. to any part of the gate.

## Contents



## Installation



The gate must be installed in a structurally sound opening. Never install between two railings or two stair posts.

Ensure mounting surface (wall, doorframe, stair post etc.) is strong, rigid and is smooth, clean and grease free.

**If mounting onto brick, drywall or other surfaces, an optional gate installation kit, wooden board mounted to the surface or additional hardware may be necessary to provide a solid, smooth surface.**

Measure opening to determine if extensions are needed. Correct width will be reached by adjusting all 4 corner spindles. Each spindle adjusts individually and may be extended to varying lengths (up to 1 3/4" each) to allow for molding, uneven walls, etc.

If using gate on a stairway, it must be placed on lowest stair at bottom.

Some overlap is intended for variations in wall construction.

The gate fits openings from:

28"-31 1/8" - basic gate  
 30 3/4"-33 1/2" - 1 extension - included  
 33 1/8"-36" - 2 extensions - included

Optional Extension Kit (2 extensions per kit) Model G5.5 necessary for the following widths:

Width of opening:	No. of extensions
35 3/4"-38 3/4"	3
38 5/8"-41 1/2"	4
41 1/4"-44"	5
43 3/4"-47"	6

} 1 kit  
} 2 kits

**No more than 2 extension kits (6 extensions) recommended per gate.**

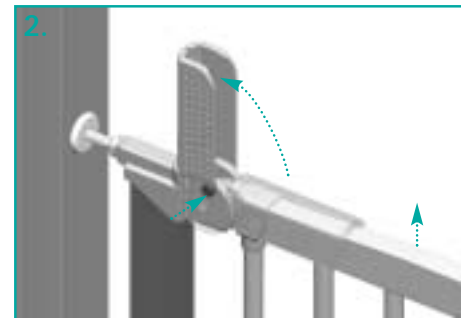
Extensions **must** be added as shown.

## Installation

### Extension Placement Guide

28"-33 1/2"	Gate + 1 extension	- may be placed on either end
33 1/8"-36"	Gate + 2 extensions	- one on each end
35 3/4"-38 3/4"	Gate + 3 extensions	- 2 on one end, 1 on other end
38 5/8"-41 1/2"	Gate + 4 extensions	- 3 on one end, 1 on other end
41 1/4"-44"	Gate + 5 extensions	- 3 on one end, 2 on other end
43 3/4"-47"	Gate + 6 extensions	- 3 on each end

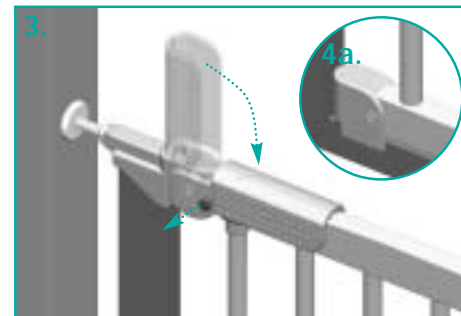
Each end may have no more than 3 extensions.



It is important to know how the opening /closing mechanism works before proceeding with installation.

### To Open Gate:

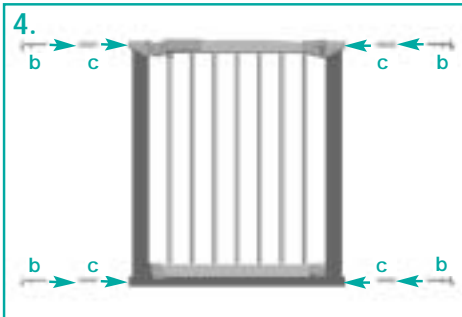
Release locking mechanism by pressing locking button in while lifting handle. **BUTTON MUST ALWAYS BE PRESSED IN WHEN LIFTING HANDLE.** Lift walk through section so hinge is raised and walk through door will swing open in either direction.



### To Close Gate:

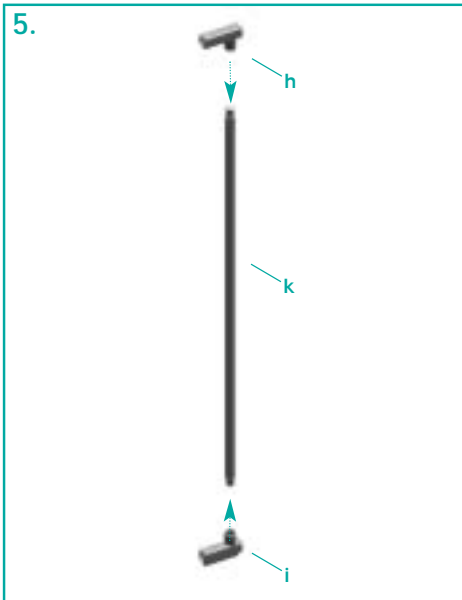
Lift walk through section. Position locator (on bottom of door) until it is above the bottom rail. Make sure hinge has dropped down. Push handle down to lock. **Gate should always be in locked position when in use.**

## Installation

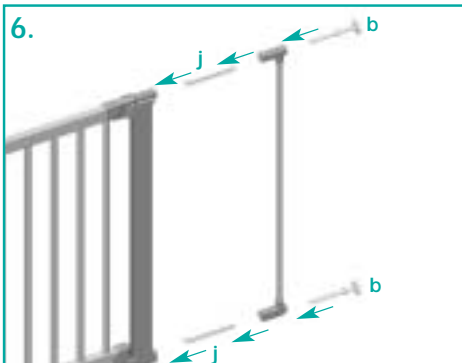


**Spindle attachment is different when using extensions and when not using extensions.**

If no extension/s are used, slide spindles (b) into spindle housing end without tab (c). Push assembly into gate corners.

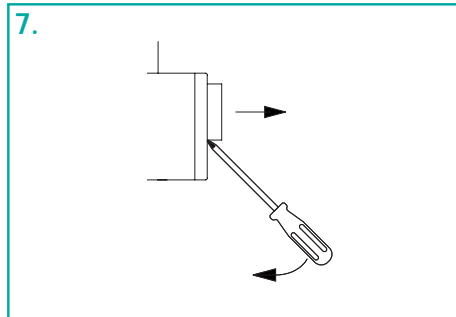


If using extension/s, (see Extension Placement Guide) insert square extension tubes (j) into gate ends. Connect the bar (k) to one upper extension housing (h) and one lower extension housing (i). Push assembly over extension tubes. There should be no metal showing from extension tubes. It may be necessary to apply pressure to tubes to ensure they are fully inserted into gate ends. Slide spindles (b) into extension tubes.

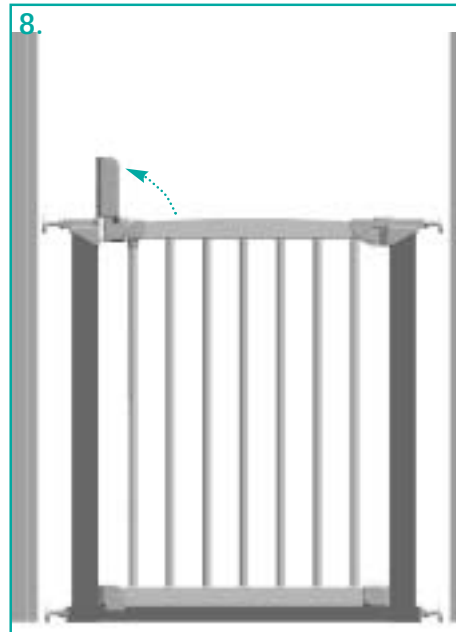


6

## Installation



**Note:** Spindle housings are not used if square extension tubes are necessary. If the housings have been inserted, remove with a screwdriver.

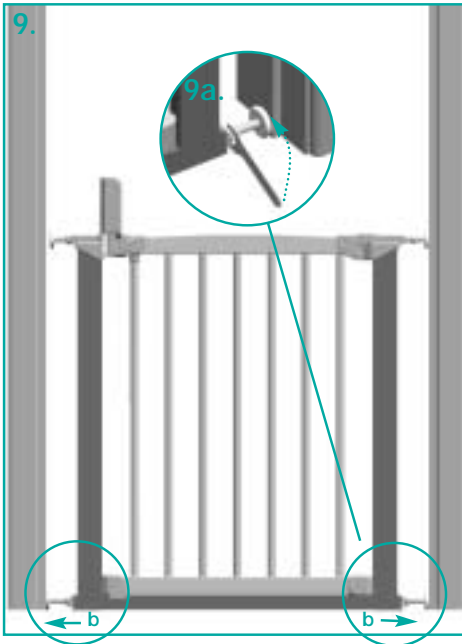


Center the gate in opening with bottom rail resting on floor. Gaps on each side should be equal.

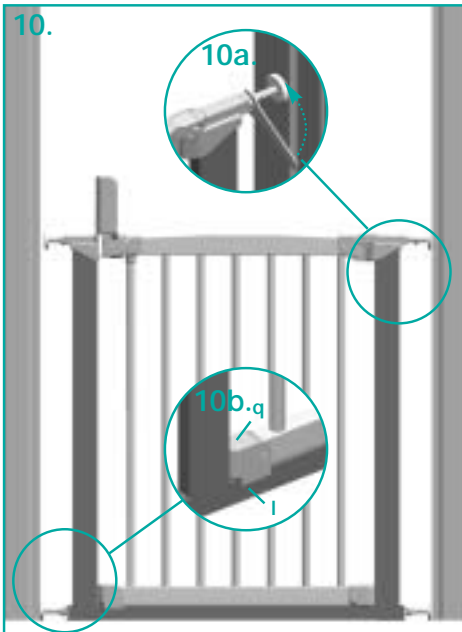
Open the handle to the raised position by pressing the button (r) and lifting the handle (n) at the same time. **BUTTON MUST ALWAYS BE PRESSED IN WHEN LIFTING HANDLE. FAILURE TO DO SO WILL RESULT IN HANDLE MECHANISM BREAKING.**

7

## Installation

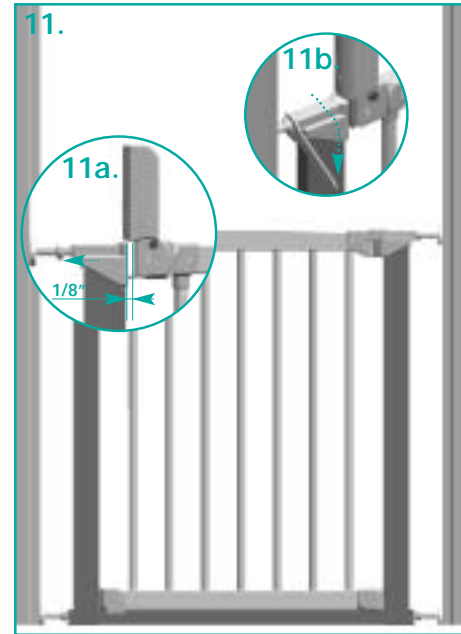


Pull out the two bottom spindles (b) until they touch mounting surface. Tighten nuts **TOWARD GATE FRAME** as tightly as possible using wrench provided. Each spindle adjusts individually and may be extended to varying lengths to allow for molding, uneven walls etc.

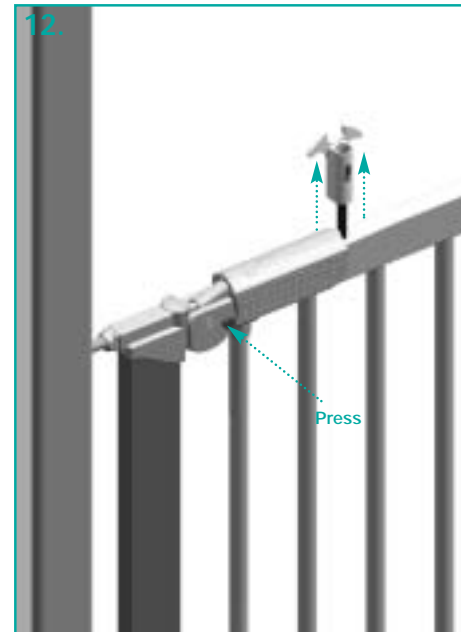


Close walk through door so locator on bottom of door is above the bottom rail (l). **Do not lower handle.** Pull out the top spindle (b) in the hinge side (m) until it touches the mounting surface and tighten nut **TOWARD GATE FRAME** until the stopper (q) on the bottom of gate rests in the locator (l).

## Installation



Pull out spindle (b) in the handle side until it touches mounting surface and tighten nut **TOWARD GATE FRAME** so the distance between pressure plate and pressure hinge (area A) is sufficient for walk through door to open in either direction.



Close the handle and check all hardware. If correctly installed, gate should be firmly in place. Once opened, the walk through door should operate easily in either direction.

A pressure indicator has been added as an additional safeguard. Lift handle (n) and locate groove on underside. Return handle to closed position and place indicator hook under groove. Push in button (r) while pulling pressure indicator up. Black gauge within indicator will start moving down. Recommended pressure is between 3 and 5. If gauge is more than 5, loosen nut on handle spindle (b). If less than 3, tighten handle spindle nut.

If unable to obtain recommended pressure it is important to know that gate is not defective. Gate requires a strong rigid surface to maintain pressure. It may be necessary to consult a hardware store or baby proofer to find a solution for safe installation.

