



Patents:  
6,370,823  
6,301,832  
6,308,462  
6,347,483  
5,396,732



KidCo is a member of:



Made in Denmark for:  
KidCo, Inc.  
300 Terrace Drive  
Mundelein, IL 60060

www.kidco.com  
Phone 847-970-9100  
Fax 847-970-9109

Patents pending



## User Guide

Center Gateway® Model G15 for openings 29 1/4" to 37 1/2"  
Optional extension kit Model G5.5 (2 extensions per kit)

necessary for the following widths:  
37 1/4"-42 3/4" - One extension kit  
42 5/8"-48 1/8" - Two extension kits

Bl. 3001-239e • G15-0208



## Important Notes

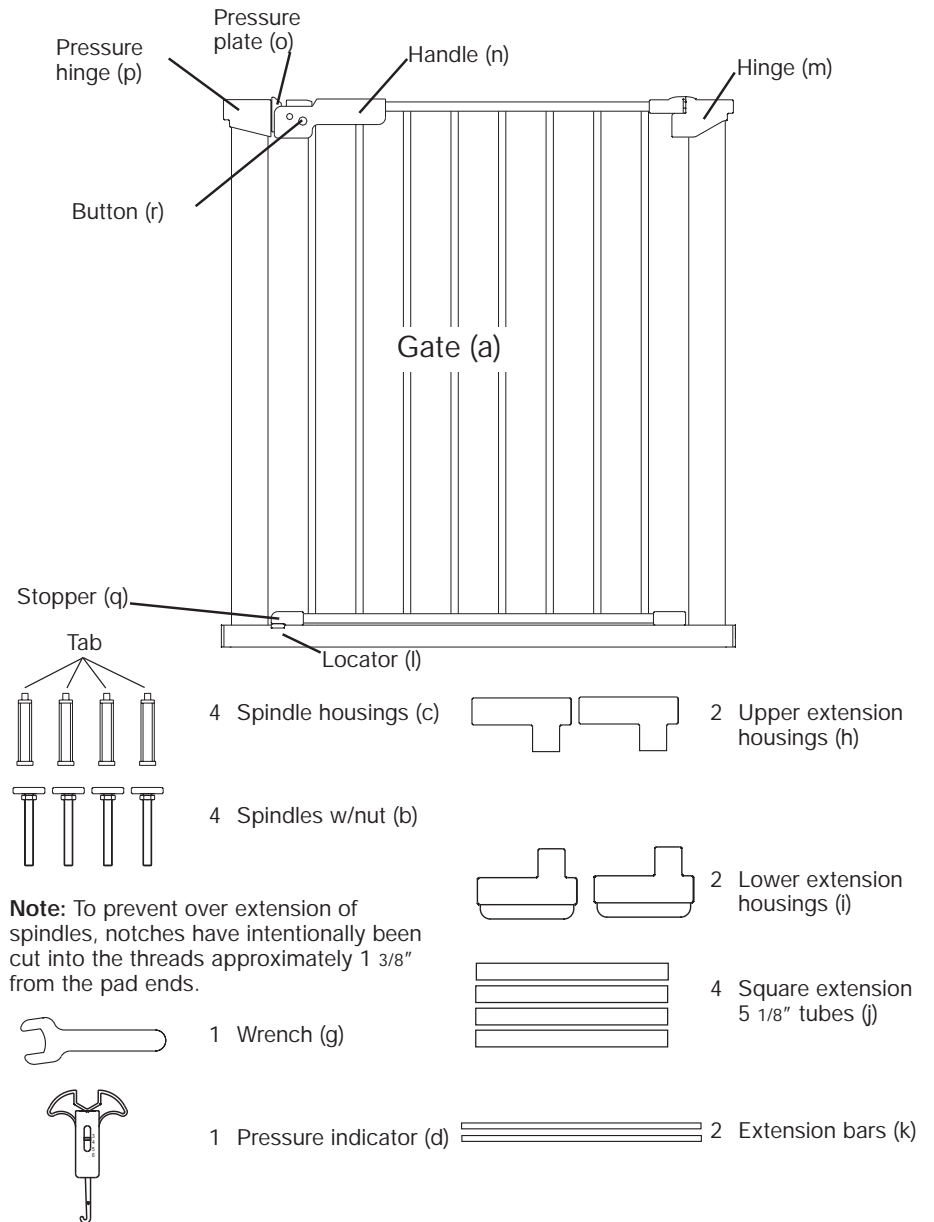
# FOLLOW THESE INSTRUCTIONS CAREFULLY AND KEEP THEM FOR FUTURE REFERENCE

This gate is designed for children from 6 months to 36 months. Since each child's skills develop at different ages, these parameters should be monitored against your own child's development.

## ⚠ WARNING

- Intended for use with children from 6 months through 36 months.
- Check the stability of the gate and tighten all hardware and mountings regularly.
- To prevent serious injury or death, securely install gate or enclosure and use according to manufacturer's instructions.
- Never use with a child able to climb over or dislodge/open the gate or enclosure.
- Never use if gate is less than 3/4 of child's height.
- Do not use if any part of gate is broken or missing
- This product will not necessarily prevent all accidents. Never leave child unattended.
- Use only spare parts from KidCo.
- Never allow child to climb or swing on gate.
- Use only with the locking /latching mechanism securely engaged.
- Never use gate at the top of the stairs.
- Discontinue use if any part of gate is damaged.
- Never climb over gate.
- Never hang or tie toys etc. to any part of the gate.

## Contents



## Installation



The gate must be installed in a structurally sound opening. Never install between two railings or two stair posts.

Ensure mounting surface (wall, doorframe, stair post etc.) is strong, rigid and is smooth, clean and grease free.

**If mounting onto brick, drywall or other surfaces, an optional gate installation kit, wooden board mounted to the surface or additional hardware may be necessary to provide a solid, smooth surface.**

Measure opening to determine if extensions are needed. Correct width will be reached by adjusting all 4 corner spindles. Each spindle adjusts individually and may be extended to varying lengths (up to 1 3/4" each) to allow for molding, uneven walls, etc.

If using gate on a stairway, it must be placed on lowest stair at bottom.

Some overlap is intended for variations in wall construction.

The gate fits openings from:

- 29 1/4"-32 1/4" - basic gate
- 32 1/8"-34 7/8" - 1 extension - included
- 34 1/2"-37 1/2" - 2 extensions - included

Optional Extension Kit (2 extensions per kit) Model G5.5 necessary for the following widths:

Width of opening:	No. of extensions
37 1/4"-40 1/4"	3 } 1 kit
39 7/8"-42 3/4"	4
42 5/8"-45 5/8"	5 } 2 kits
45 1/2"-48 1/8"	6

**No more than 2 extension kits (6 extensions) recommended per gate.**

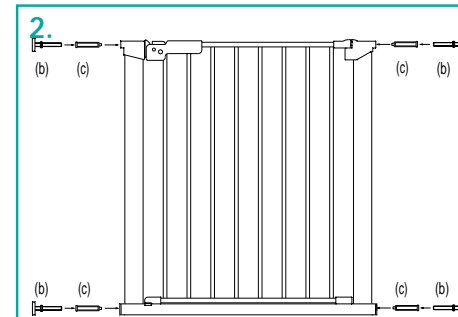
Extensions **must** be added as shown.

## Installation

### Extension Placement Guide

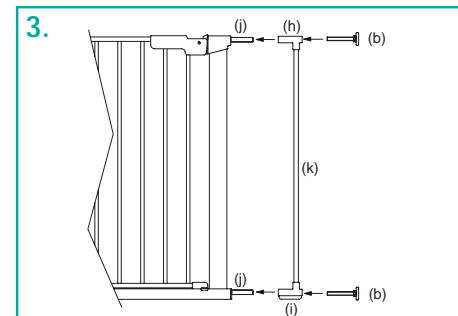
29 1/4"-34 7/8"	Gate + 1 extension	- may be placed on either end
34 1/2"-37 1/2"	Gate + 2 extensions	- one on each end
37 1/4"-40 1/4"	Gate + 3 extensions	- 2 on one end, 1 on other end
39 7/8"-42 3/4"	Gate + 4 extensions	- 3 on one end, 1 on other end
42 5/8"-45 5/8"	Gate + 5 extensions	- 3 on one end, 2 on other end
45 1/2"-48 1/8"	Gate + 6 extensions	- 3 on each end

Each end may have no more than 3 extensions.



**Spindle attachment is different when using extensions and when not using extensions.**

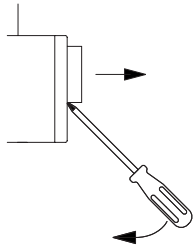
If no extension/s are used, slide spindles (b) into spindle housing end without tab (c). Push assembly into gate corners.



If using extension/s, (see Extension Placement Guide) insert square extension tubes (j) into gate ends. Connect the bar (k) to one upper extension housing (h) and one lower extension housing (i). Push assembly over extension tubes. There should be no metal showing from extension tubes. It may be necessary to apply pressure to tubes to ensure they are fully inserted into gate ends. Slide spindles (b) into extension tubes.

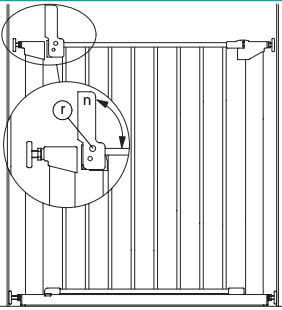
## Installation

4.



**Note:** Spindle housings are not used if square extension tubes are necessary. If the housings have been inserted, remove with a screwdriver.

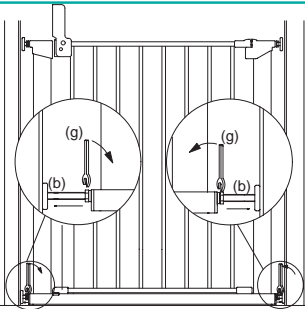
5.



Center the gate in opening with bottom rail resting on floor. Gaps on each side should be equal.

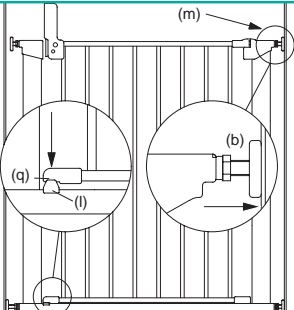
Open the handle to the raised position by pressing the button (r) and lifting the handle (n) at the same time. **BUTTON MUST ALWAYS BE PRESSED IN WHEN LIFTING HANDLE. FAILURE TO DO SO WILL RESULT IN HANDLE MECHANISM BREAKING.**

6.



Pull out the two bottom spindles (b) until they touch mounting surface. Tighten nuts **TOWARD GATE FRAME** as tightly as possible using wrench provided. Each spindle adjusts individually and may be extended to varying lengths to allow for molding, uneven walls etc.

7.

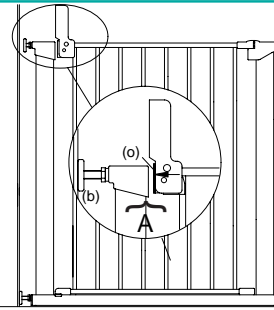


Close walk through door so stopper on bottom of door (q) is above the locator (l) **Do not lower handle**. Pull out the top spindle (b) in the hinge side (m) until it touches the mounting surface and tighten nut **TOWARD GATE FRAME** until the stopper (q) on the bottom of gate rests in the locator (l).

6

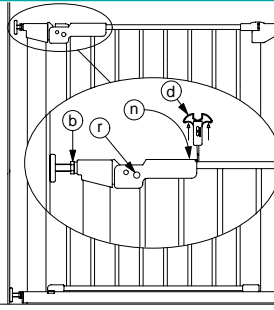
## Installation

8.



Pull out spindle (b) in the handle side until it touches mounting surface and tighten nut **TOWARD GATE FRAME** so the distance between pressure plate and pressure hinge (area A) is sufficient for walk through door to open in either direction.

9.



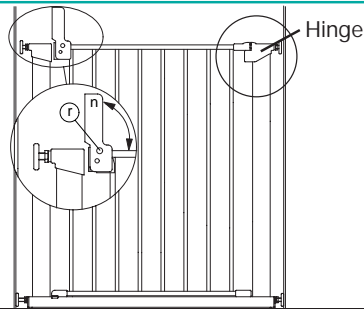
Close the handle and check all hardware. If correctly installed, gate should be firmly in place. Once opened, the walk through door should operate easily in either direction.

A pressure indicator has been added as an additional safeguard. Lift handle (n) and locate groove on underside. Return handle to closed position and place indicator hook under groove. Push in button (r) while pulling pressure indicator up. Black gauge within indicator will start moving down. Recommended pressure is between 3 and 5. If gauge is more than 5, loosen nut on handle spindle (b). If less than 3, tighten handle spindle nut.

If unable to obtain recommended pressure, it is important to know that gate is not defective. Gate requires a strong, rigid surface to maintain pressure. It may be necessary to consult a hardware store or baby proofer to find a solution for safe installation.

## Operation

10.



### To Open Gate.

Release locking mechanism by pressing locking button in while lifting handle. **BUTTON MUST ALWAYS BE PRESSED IN WHEN LIFTING HANDLE**. Lift walk through section so hinge is raised and walk through door will swing open in either direction.

### To Close Gate.

Lift walk through section. Position locator (on bottom of door) until it is above the bottom rail. Make sure hinge has dropped down. Push handle down to lock. **Gate should always be in locked position when in use.**

7

## Gate Care

- No part of gate requires lubrication.
- Clean using warm, soapy water or a damp cloth.
- Do not use abrasive cleaners or bleach.
- If using outdoors, and to help prevent rust, treat all exposed metal with a rust inhibitor. Some rusting may still occur.

## Installation Aid

KidCo has available OPTIONAL Y spindles (Model GY Spindles) to assist in installation when the mounting surface has a round baluster. These spindles are used in place of the spindles included with the basic gate. They may be ordered through your local KidCo dealer or direct from KidCo.

**No more than 2 Y spindles may be used per gate and both must be used on the same side.**

